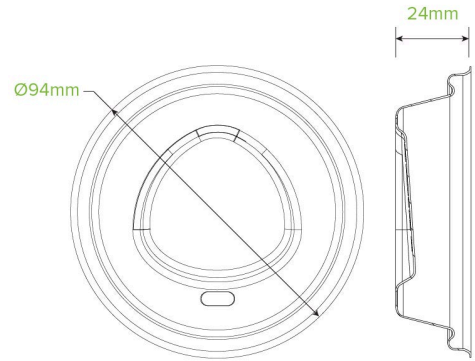


90mm Large Sugarcane BioCup Lids BCL-12PULP-W



Our bagasse coffee cup lids are made from rapidly renewable sugarcane pulp and certified home compostable (AS5810). They are leak-free and perform excellent with hot contents. This lid fits our 280-350ml/ 8(90)-20oz BioCups.

Carton quantity: 1000	Sleeves per carton: 20	Units per sleeve: 50
Carton Size LxWxH (cm): 24.5x40x50	Carton gross weight (kg): 5.500000	Carton barcode: 19344062056956
Raw Material: Bagasse - White (80% sugarcane pulp, 20% wood pulp)	Lining/coating: None	Window Material: None
Printing Type: None	Inks: None	Dimensions top LxW (mm): 94x94
Dimensions base LxW (mm): 94x94	Product Depth: 24.4	Product weight (g): 5
Thickness: 0.6mm	Use: Hot & Wet Products	Manufactured: China
Customise: Emboss	MOQ custom: 1250000	Mould fees: Yes - see custom packaging
Environmental production certified: ISO 14001	Quality product certified: ISO 9001	Factory food safety certified: BRC
Corporate social accreditation: BSCI, SA 8000	Home compostable: Certified to AS5810 Australian standards, Certified to NF T51-800 European standards	Industrially compostable: Certified to AS4736 Australian Standards, Certified to EN13432 European Standard
Recyclable: No		